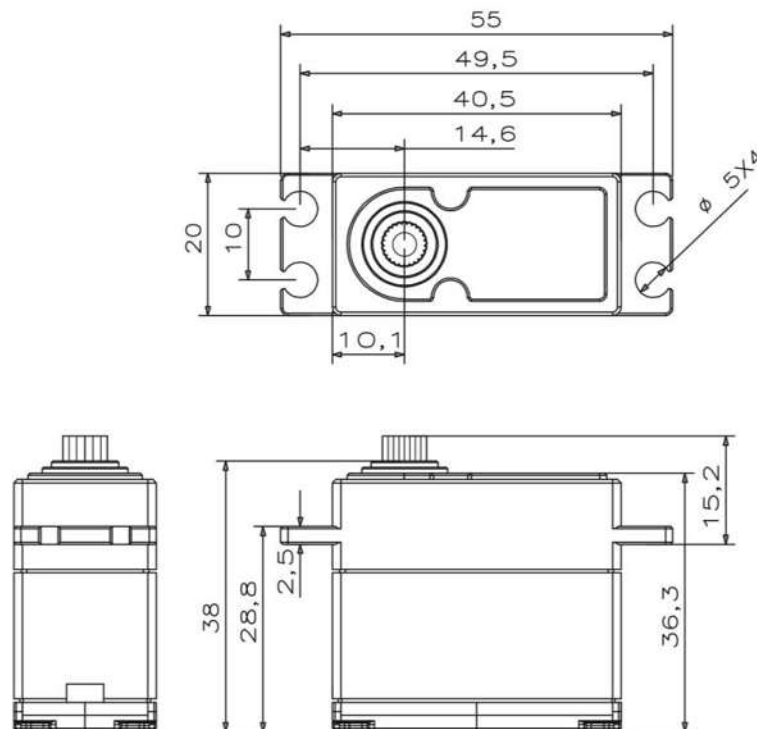


BLS825 V8.0 with Soft Start

Technical Specification



Content is subject to change without notice 2017-8

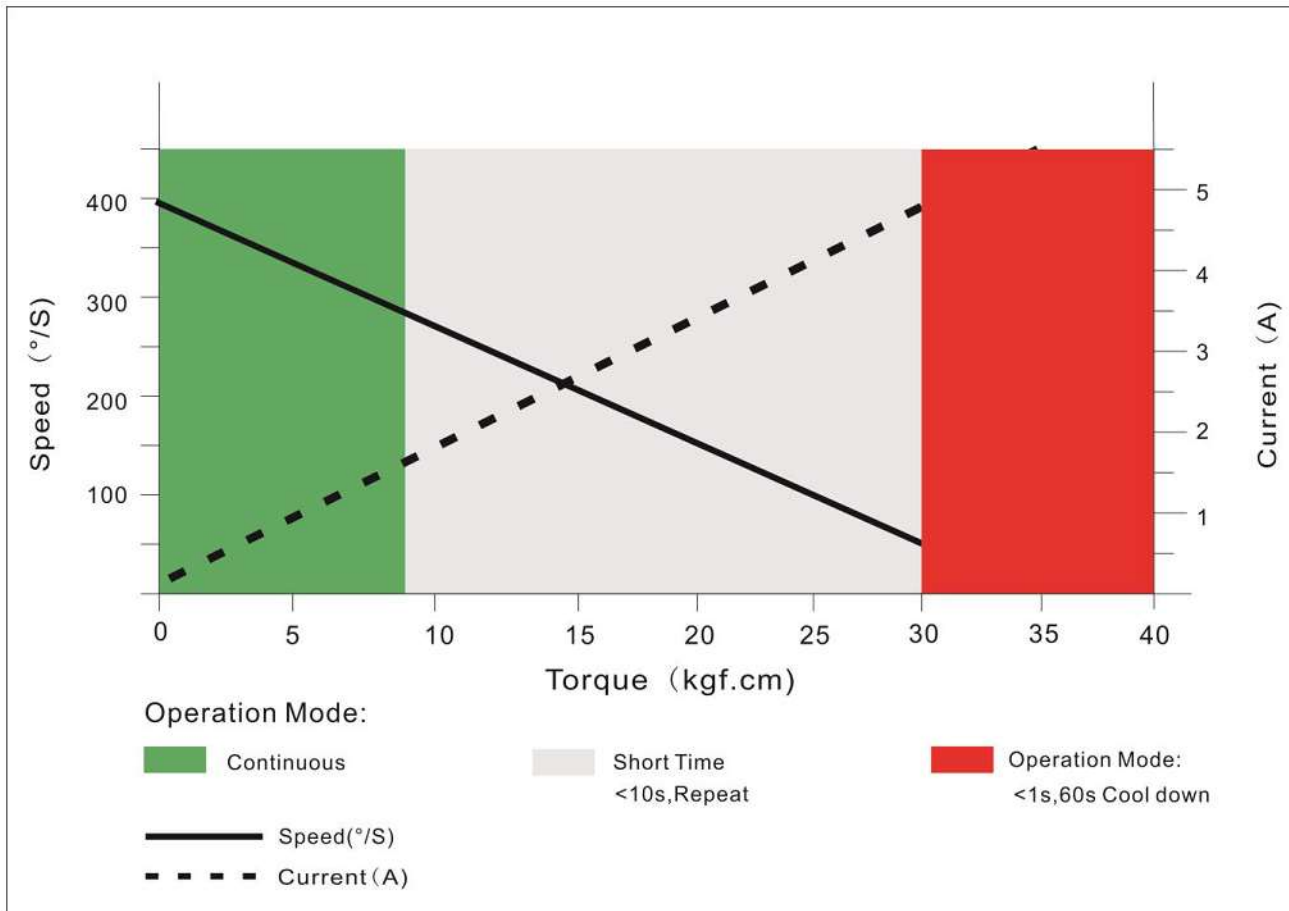
Operating Data

	BLS825
Operation Voltage(rated)	DC7.4V
Operation Voltage Range	DC6V-8.4V
Stalling Torque	25kg.cm@6.0V
	30Kg.cm@7.4V
	35kg.cm@8.4V
Speed	0.15sec/60°@6.0V
	0.13sec/60°@7.4V
	0.11sec/60°@8.4V
Travel Angle	± 50° when 1000-2000us
Operating Temperature Range	-20°C+65°C

Performance

BLS825

@7.4V



PWM Command Signal

PWM	BLS825
Signal Voltage	TTL-Level: HIGH:min.3.3V,max.5.0V TTL-Level: Low:min.0.0V,max.0.5V
Pulse Lengths	900-2100us
Pulse Lengths for Position -50° /center/ $+50^{\circ}$	1000us/1500us/2000us
Resolution	$\leq 2\mu\text{s}$

Materials and protective features

Case Material	Aluminum Alloy
Motor Type	Brushless
Gear Set Material	Steel
Position Sensor	Potentiometer
Position Feedback	Optional
Connecting Cable	22AWG

Dimensions

Case Dimensions	40.5*20*38mm
Weight	70g