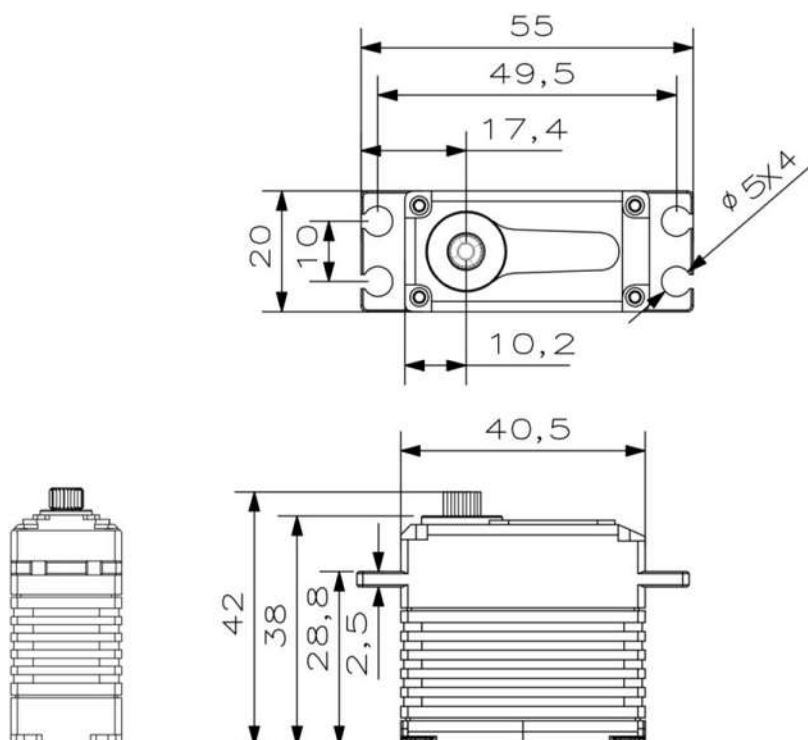


# BLS915 V8.0

## Technical Specification



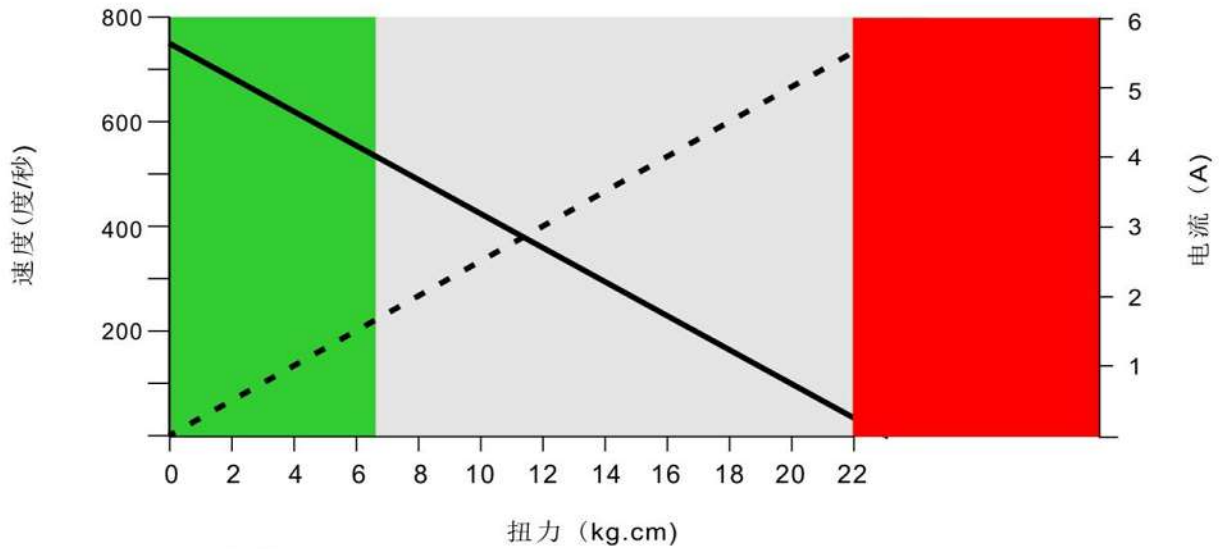
## Operating Data

	<b>BLS915 V8.0</b>
<b>Operation Voltage(rated)</b>	DC7.4V
<b>Operation Voltage Range</b>	DC6V-8.4V
<b>Stalling Torque</b>	18kg.cm@6.0V
	22Kg.cm@7.4V
	25Kg.cm@8.4V
<b>Speed</b>	0.09sec/60°@6.0V
	0.08sec/60°@7.4V
	0.07sec/60°@8.4V
<b>Travel Angle</b>	± 50° when 1000-2000us
<b>Operating Temperature Range</b>	-20℃……+65℃

## Performance

**BLS915 V8.0**

**@7.4V**



工作模式

连续工作

短时间工作  
<10秒,重复

<1秒,60秒 冷却

—— 速度(度/秒)

- - - - 电流(A)

## PWM Command Signal

PWM	BLS915 V8.0
Signal Voltage	TTL-Level: HIGH:min.3.3V,max.5.0V TTL-Level: Low:min.0.0V,max.0.5V
Pulse Lengths	900-2100us
Pulse Lengths for Position -50° /center/+50°	1000us/1500us/2000us
Resolution	<=2us

### Materials and protective features

Case Material	Aluminum Alloy
Motor Type	Brushless
Gear Set Material	Hardened steel
Position Sensor	Potentiometer
Position Feedback	Optional
Connecting Cable	22AWG

### Dimensions

Case Dimensions	40.5*20*38mm
Weight	78g