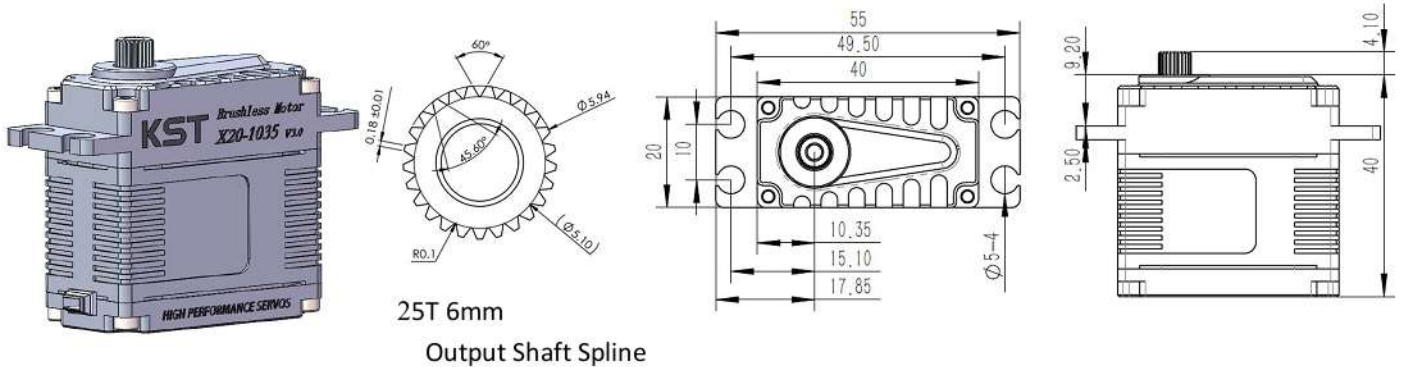


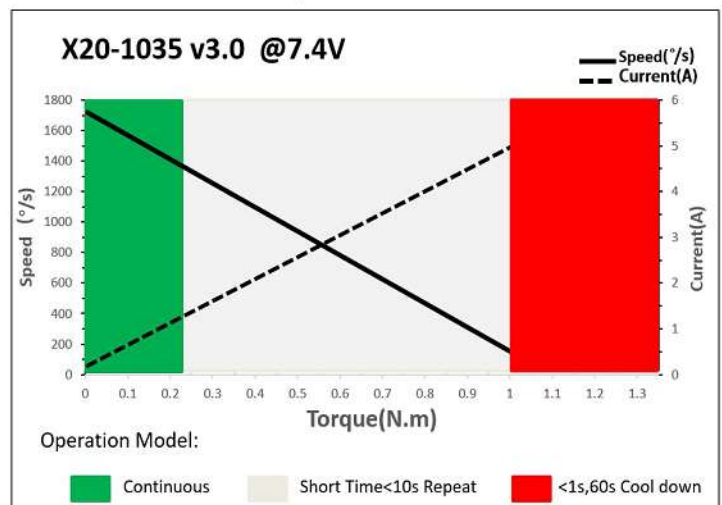
### X20-1035 3.0 Technical Specification



### 1. Operating Data

	X20-1035 v3.0
Rated Voltage	DC7.4V
Voltage Range	DC6.0V-8.4V
Stalling Torque	0.9N.m@6.0V
	1.0N.m@7.4V
	1.2N.m@8.4V
Speed	0.040sec/60°@6.0V
	0.035sec/60°@7.4V
	0.030sec/60°@8.4V
Working Frequency	760us/560Hz
Temperature Range	-10°C ..... +65°C
Case Material	Aluminum Alloy
Motor Type	Brushless DC Motor
Gear Set Material	Hardened Steel
Position Sensor	Potentiometer
Case Dimensions	40mm*20mm*40mm±0.2mm
Weight	72g±10%
Ball Bearing	6 BB

### 2. Performance



### 3. Command signal

#### PWM Command Interface

Signal Voltage	HIGH: min.3.3V, max.5.0V Low: min.0.0V, max.1.5V
Pulse Lengths	450us-1050us
Working Frequency	760us/560Hz

### 4. Electrical Connection

	Pin Assignment			
	1	Orange	Signal	PWM Command
	2	Red	DC+	Supply Voltage
3	Brown	DC-	Supply Ground	