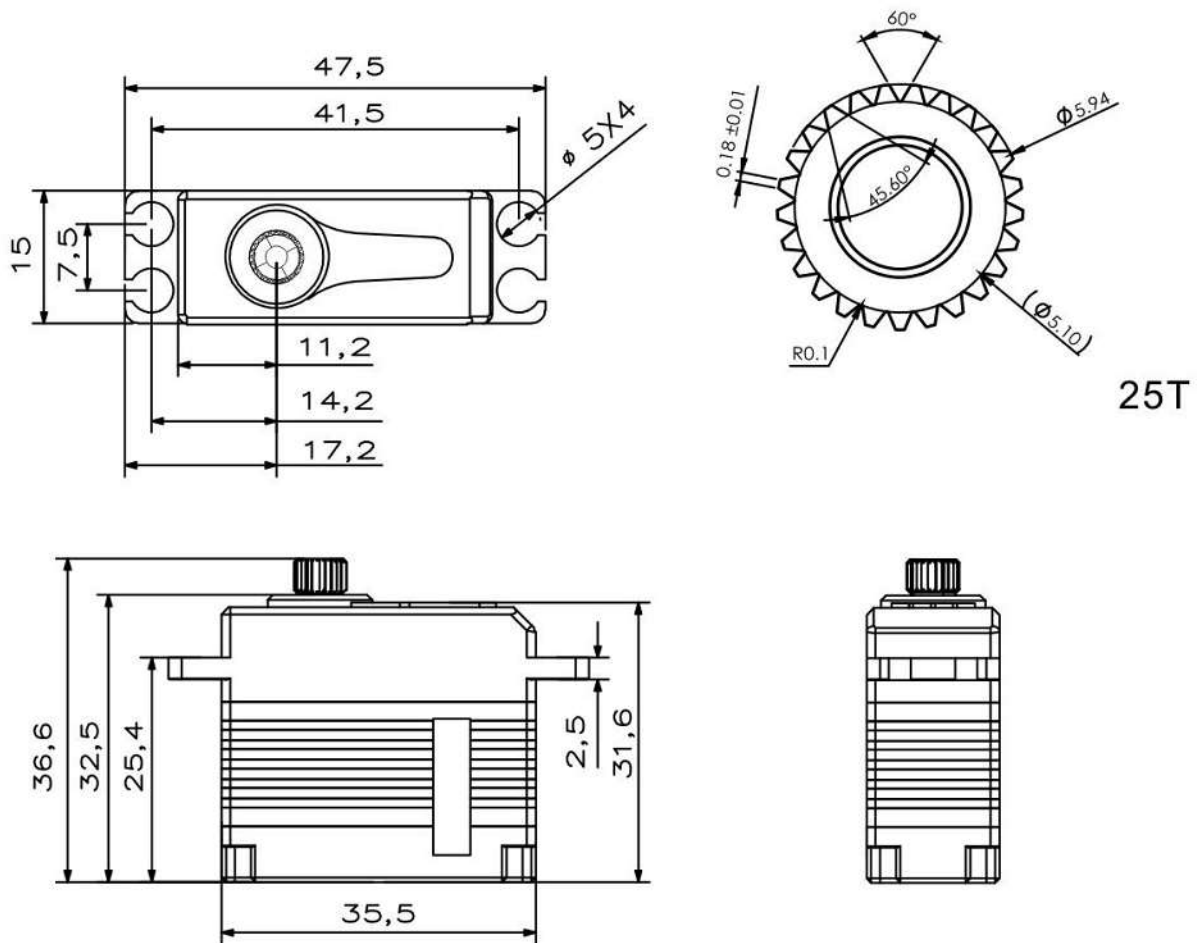


MS565 V8.0

Technical Specification



Content is subject to change without notice

Operating Data

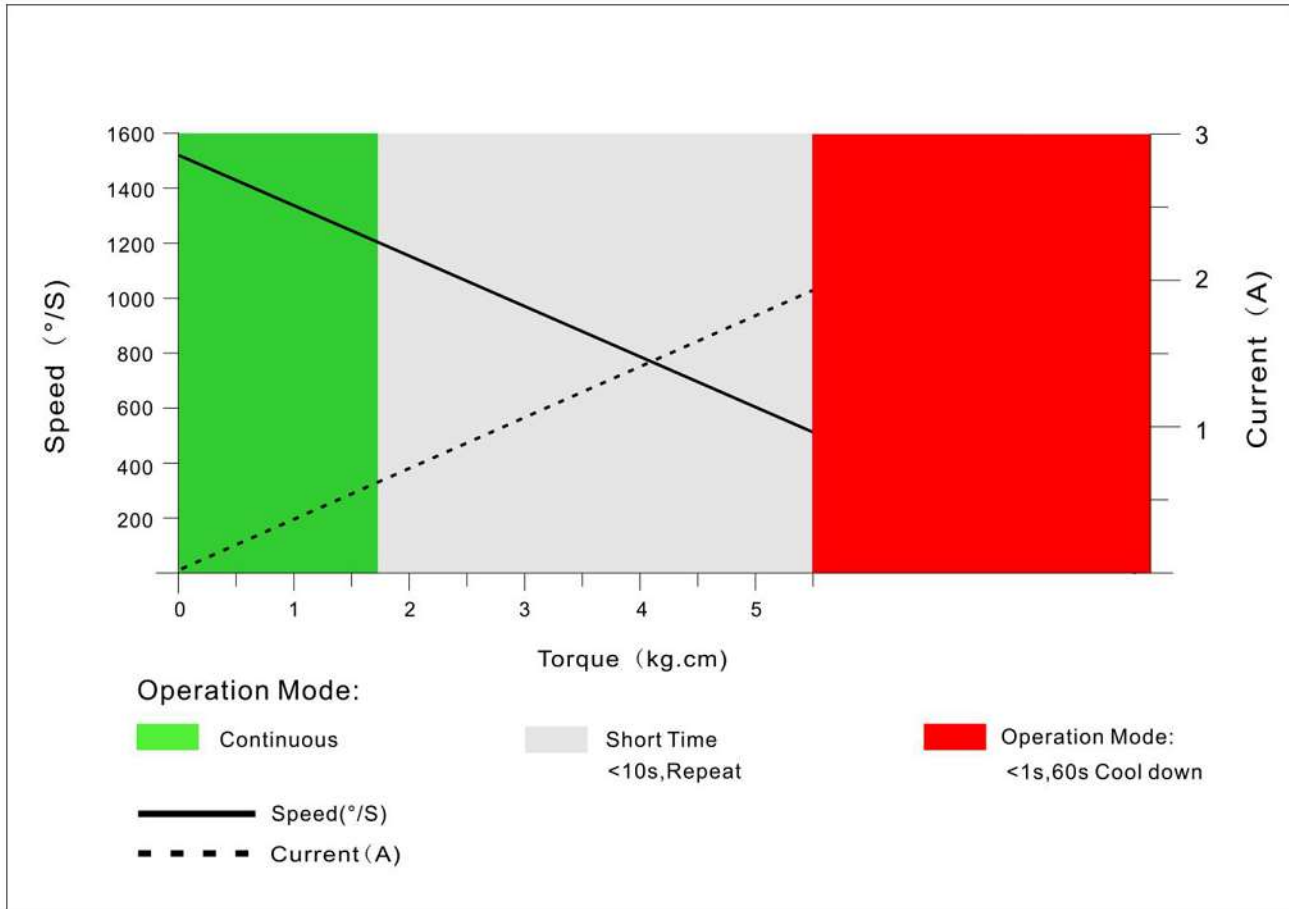
	MS565
Operation Voltage(rated)	DC7.4V
Operation Voltage Range	DC6.0V-8.4V
Stalling Torque	4.2Kg.cm@6.0V
	5.5Kg.cm@7.4V
	6.5Kg.cm@8.4V
Speed	0.05sec/60°@6.0V
	0.04sec/60°@7.4V
	0.035sec/60°@8.4V
Travel Angle	± 50° when 450-1050us
Operating Temperature Range	-10°C.....+65°C

Content is subject to change without notice

Performance

MS565

@7.4V



Content is subject to change without notice

PWM Command Signal

PWM	MS565
Pulse Lengths	450-1050us
Working Frequency	760us/560Hz
Resolution	<2us

Materials and protective features

Case Material	Aluminum Alloy
Splash Surface Treatment	
Salt Water Resistance	
EMI/RFI Shielding	
Motor Type	Coreless
Gear Set Material	Steel
Position Sensor	Contactless
Position Feedback	Optional
Shielded Connecting Cable	

Dimensions

Case Dimensions	35.5*15*32.5mm
Weight	38g

Content is subject to change without notice