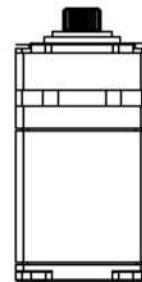
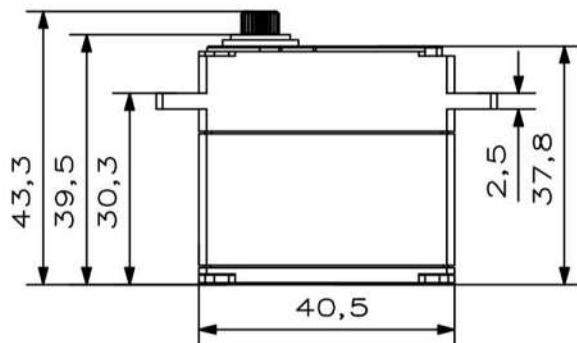
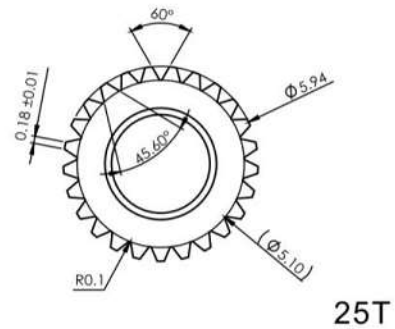
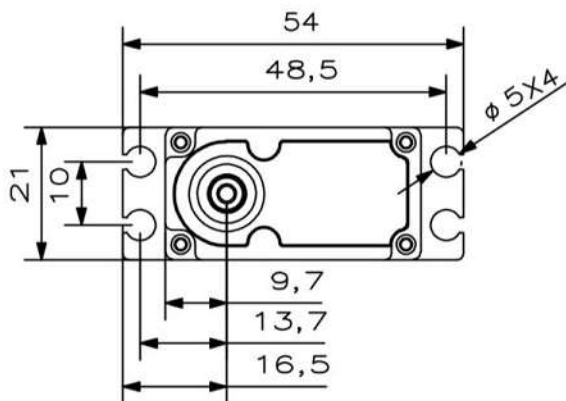


# MS825 V8.0

## Technical Specification



Content is subject to change without notice

## Operating Data

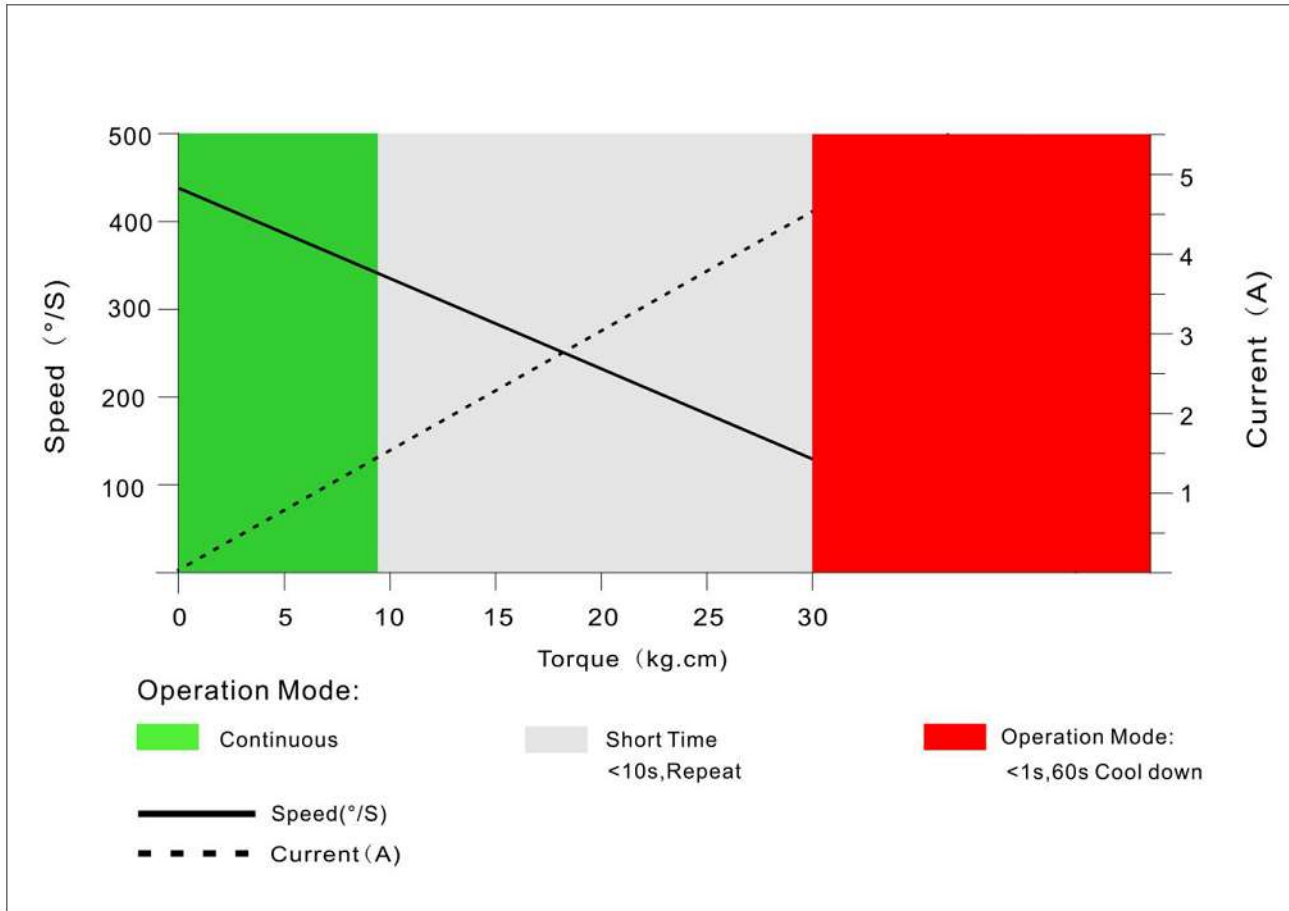
	<b>MS825</b>
<b>Operation Voltage(rated)</b>	DC7.4V
<b>Operation Voltage Range</b>	DC6.0V-8.4V
<b>Stalling Torque</b>	25Kg.cm@6.0V
	30Kg.cm@7.4V
	35Kg.cm@8.4V
<b>Speed</b>	0.15sec/60°@6.0V
	0.13sec/60°@7.4V
	0.11sec/60°@8.4V
<b>Travel Angle</b>	± 100° when 500-2500us ± 50° when 1000-2000us
<b>Operating Temperature Range</b>	-10 °C .....+65 °C

Content is subject to change without notice

## Performance

MS825

@7.4V



Content is subject to change without notice

# PWM Command Signal

PWM	MS825
Signal Voltage	TTL-Level: HIGH:min.3.3V,max.5.0V TTL-Level: Low:min.0.0V,max.1.5V
Pulse Lengths	500-2500us
Pulse Lengths for Position $-100^{\circ}$ /center/ $+100^{\circ}$	500us/1500us/2500us
Resolution	<2us

## Materials and protective features

Case Material	Aluminum Alloy
Splash Surface Treatment	
Salt Water Resistance	
EMI/RFI Shielding	
Motor Type	Brushless
Gear Set Material	Steel
Position Sensor	Contactless
Position Feedback	Optional
Shielded Connecting Cable	

## Dimensions

Case Dimensions	40.5*20*38mm
Weight	74g

Content is subject to change without notice