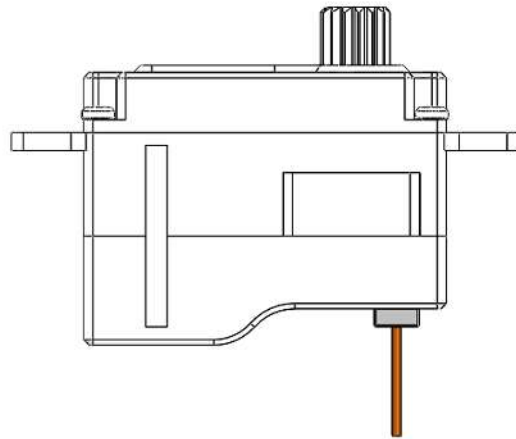
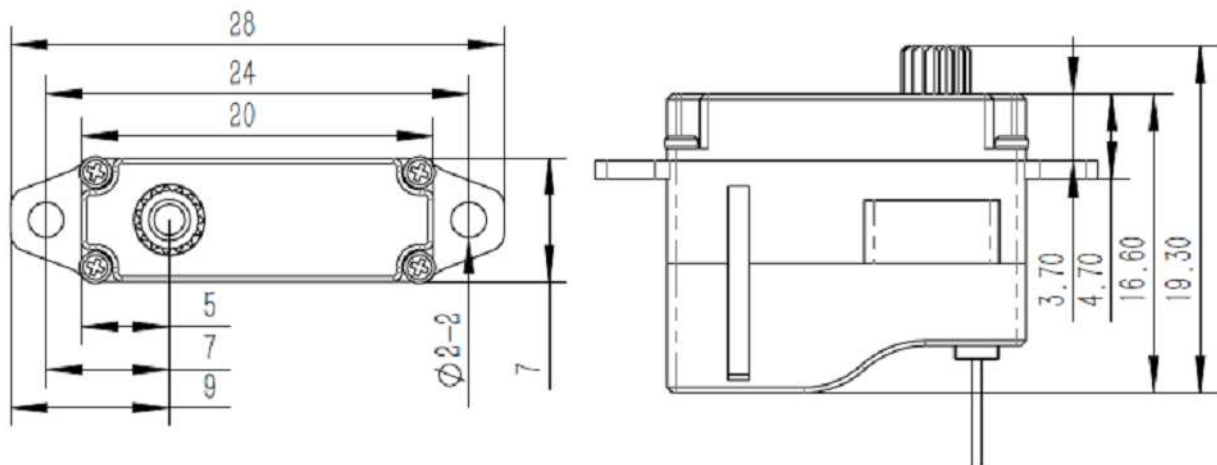


X06 V6.0

Technical Specification



1. Installation Dimensions

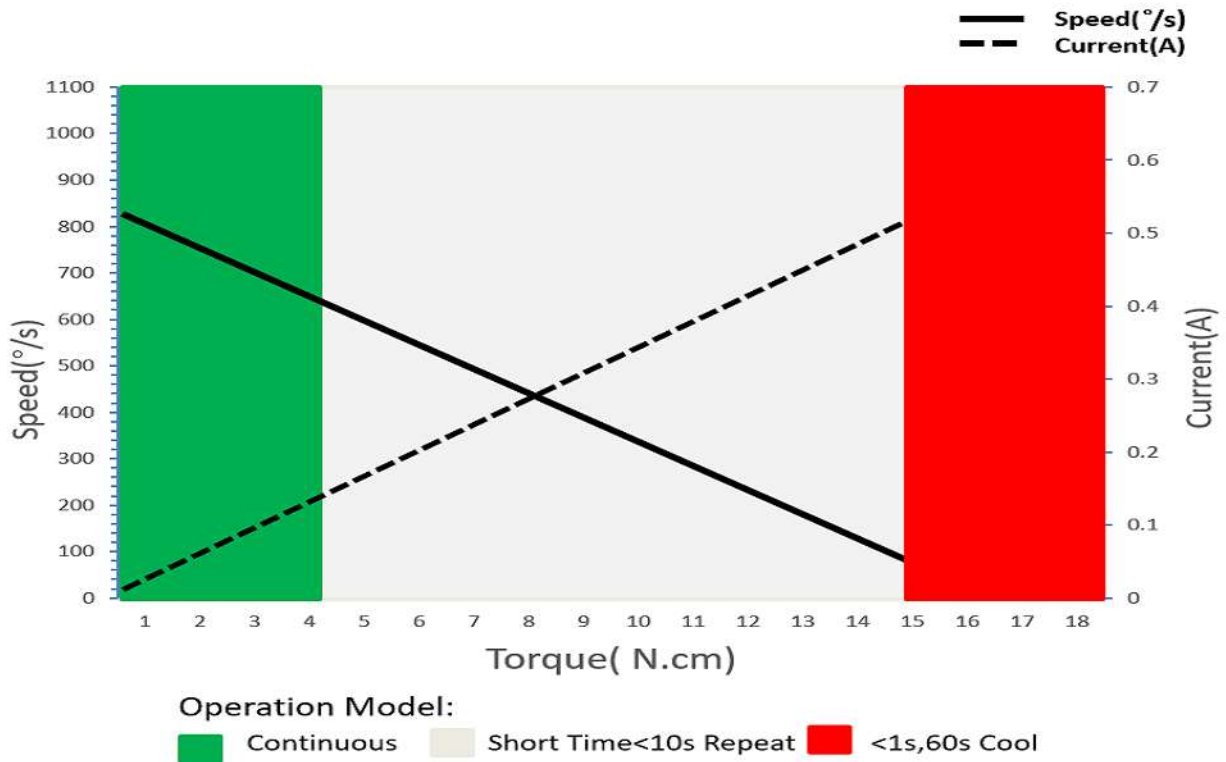


Case Dimensions	20mm*7mm*16.6mm ± 0.2mm
Weight	6g ± 10%

2. Operating Data

Rated Voltage	DC3.8V-8.4V
Voltage Range	DC6.0V
Stalling Torque	8N.cm@3.8V
	15N.cm@6.0V
	18N.cm@8.4V
Rated Torque	4N.cm@6.0V
Stalling Current	0.58A@6.0V
Rated Current	0.22A@6.0V
No-load Speed	0.12sec/60°@3.8V
	0.08sec/60°@6.0V
	0.07sec/60°@8.4V
Rated Speed	0.20sec/60°@6.0V
Default Travel Angle	±60° = 120° total travel
Operating Temperature Range	-10°C.....+65°C

3. Performance @6.0V



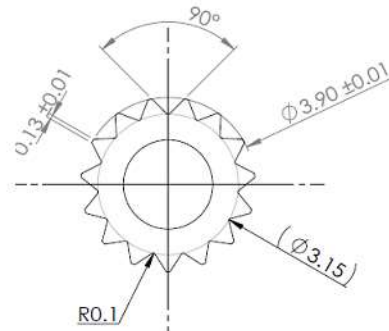
4. PWM Command Signal

Signal Voltage	TTL-Level: HIGH:min.3.3V,max.5.0V TTL-Level: Low:min.0.0V,max.1.5V
Pulse Lengths	900us-2100us
Pulse Lengths for Position-60°/0°/+60°	1000us/1500us/2000us

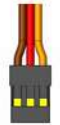
5. Materials and Features

Case Material	Aluminum Alloy
Motor Type	Coreless DC Motor
Gear Set Material	Steel Gear
Position Sensor	Potentiometer

6. Output Shaft Spline (15T)



7. Electrical Connection

 <p>3 2 1</p>	Pin Assignment			
	1	Yellow	SIG	Command Signal
	2	Red	+V DC	Supply Voltage
	3	Brown	GND	Supply Ground, Signal Ground

8. Accessories

N/A