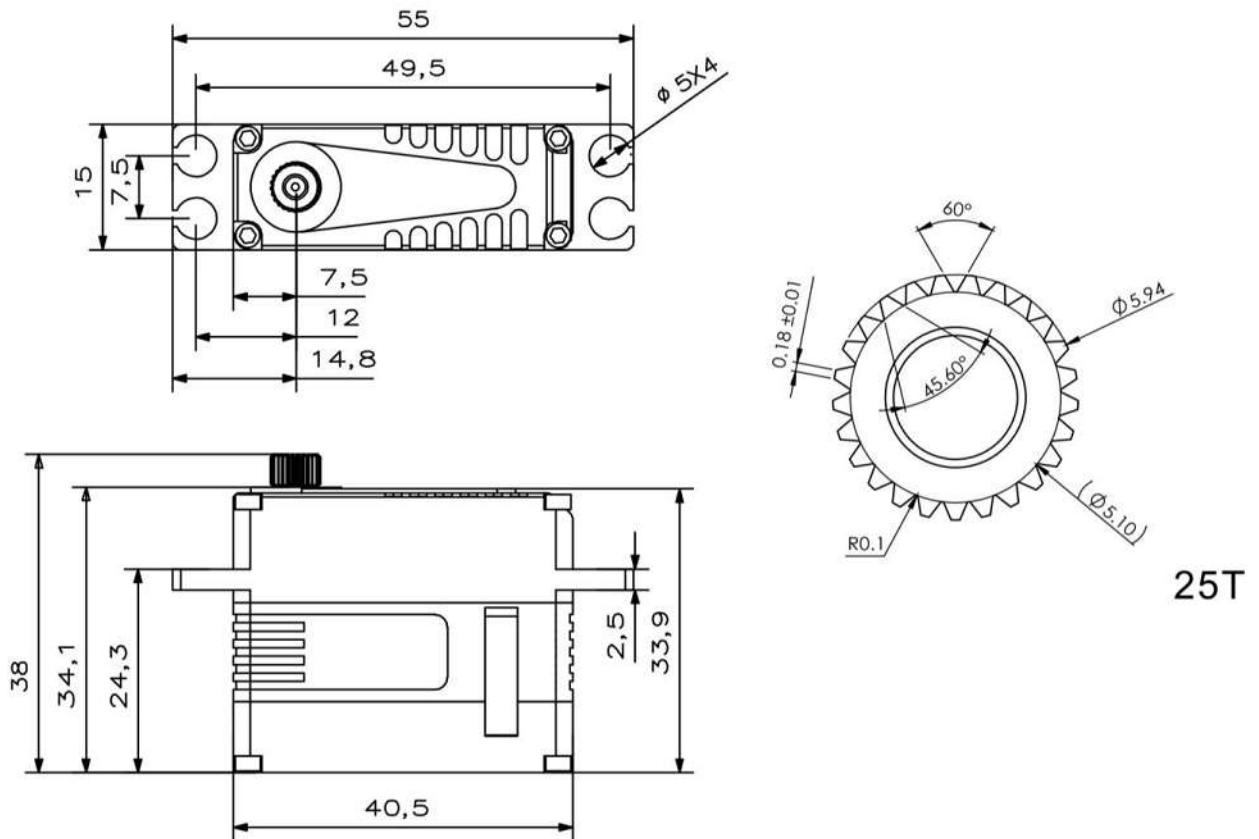


# A15-2212 V8.0 with Soft Start

## Technical Specification

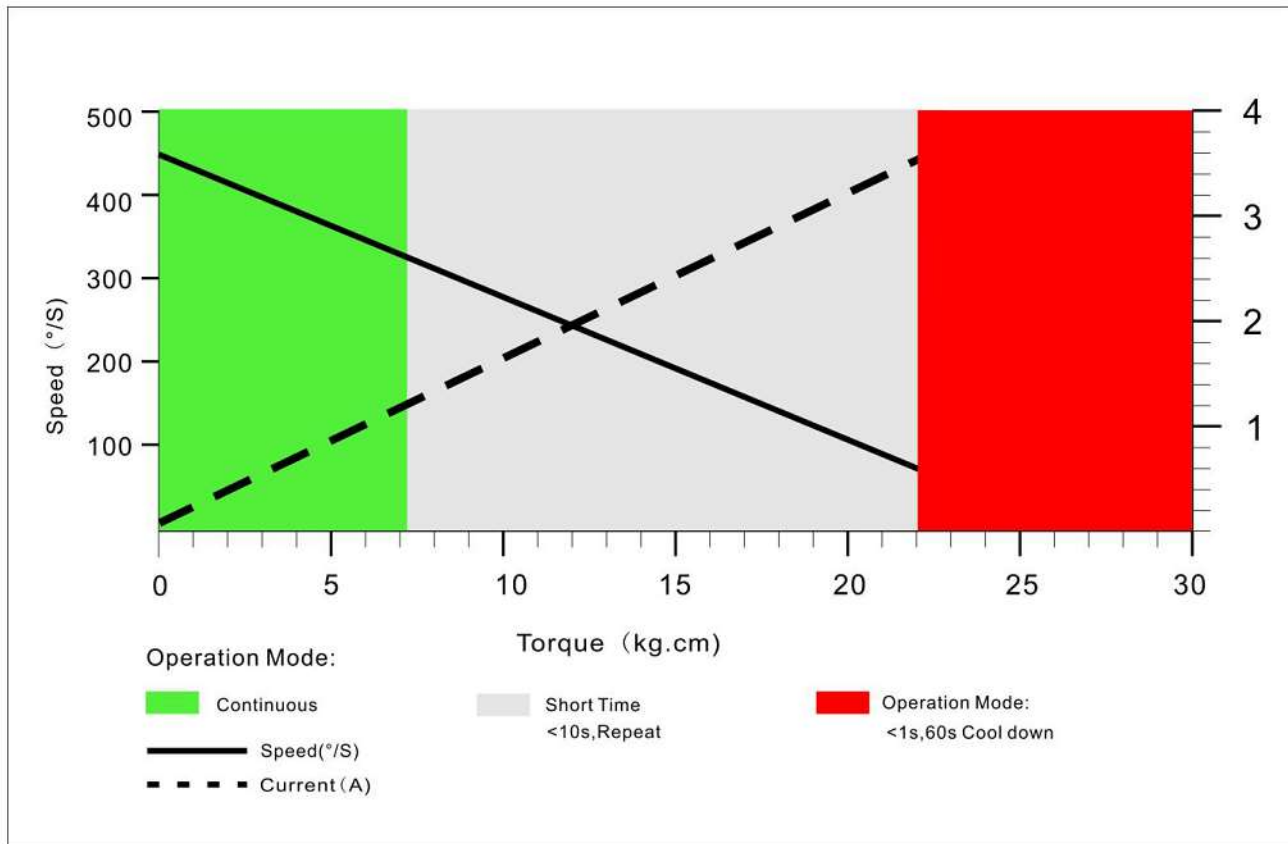


## Operating Data

	<b>A15-2212</b>
<b>Operation Voltage(rated)</b>	DC7.4V
<b>Operation Voltage Range</b>	DC6.0V-8.4V
<b>Stalling Torque</b>	18Kg.cm@6.0V
	22Kg.cm@7.4V
	25Kg.cm@8.4V
<b>Speed</b>	0.15sec/60°@6.0V
	0.12sec /60°@7.4V
	0.11sec /60°@8.4V
<b>Travel Angle</b>	±50° when 1000-2000us
<b>Operating Temperature Range</b>	-10°C……+65°C

## Performance

**A15-2212 @ 7.4V**



## PWM Command Signal

PWM	A15-2212
Signal Voltage	TTL-Level: HIGH:min.3.3V,max.5.0V TTL-Level: Low:min.0.0V,max.1.5V
Pulse Lengths	900-2100us
Pulse Lengths for Position -50° /center/+50°	1000us/1500us/2000us
Resolution	<=2us

### Materials and protective features

Case Material	Aluminum Alloy
Motor Type	Coreless
Gear Material	Hardened Steel
Position Sensor	Potentionmeter
Position Feedback	Optional (PWM signal, 305Hz,5mA)
Connecting Cable	22AWG

### Dimensions

Case Dimensions	40.5*15*34mm
Weight	52g