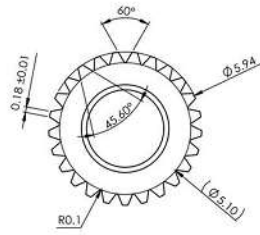
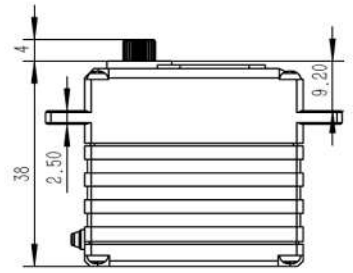
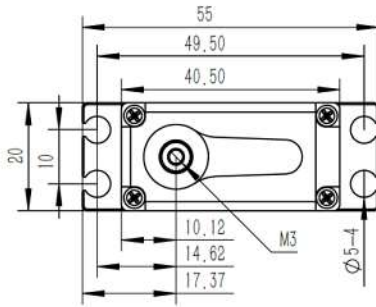


## SV905-12 V3.0 Technical Specification



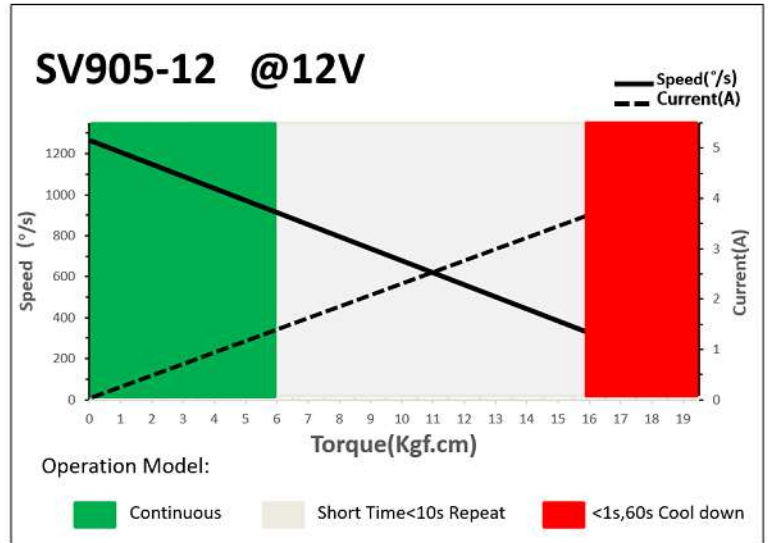
25T-6mm  
Output Shaft Spline



### 1. Operating Data

SV905-12	
Rated Voltage	DC12V
Voltage Range	DC8.0V-13.0V
Stalling Torque	13.0Kgf.cm@8.4V
	16.0Kgf.cm@12V
	17.0Kgf.cm@13V
Speed	0.060sec/60°@8.4V
	0.045sec/60°@12V
	0.040sec/60°@13V
Working Frequency	760us/560Hz
Temperature Range	-20°C.....+65°C
Case Material	Aluminum Alloy
Motor Type	Brushless DC Motor
Gear Set Material	Hardened Steel
Position Sensor	Potentiometer
Case Dimensions	40.5*20*38 mm±0.2mm
Weight	70g±10%
Ball Bearing	2 BB

### 2. Performance



### 3. Command signal

#### 3.1. PWM Command Interface

Signal Voltage	TTL-level: HIGH: min.3.3V, max.5.0V Low: min.0.0V, max.1.5V
Pulse Lengths	450us-1050us
Working Frequency	760us/560Hz

### 4. Electrical Connection

	Pin Assignment (PWM)			
	1	Yellow	SIG	Command Signal
	2	Red	DC+	Supply Voltage
	3	Brown	DC-(GND)	Supply Ground, Signal Ground