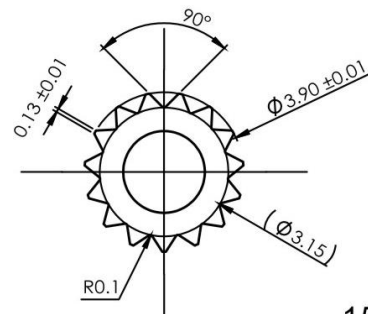
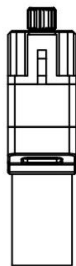
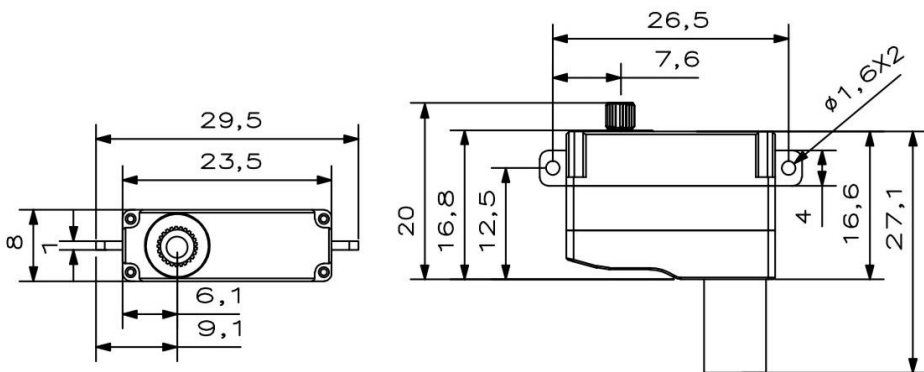
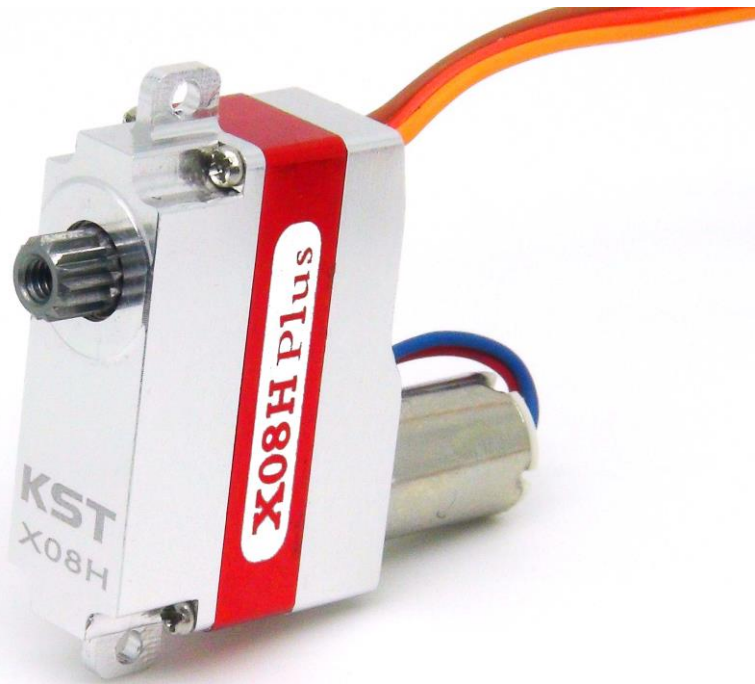


# X08H Plus/X08 Plus

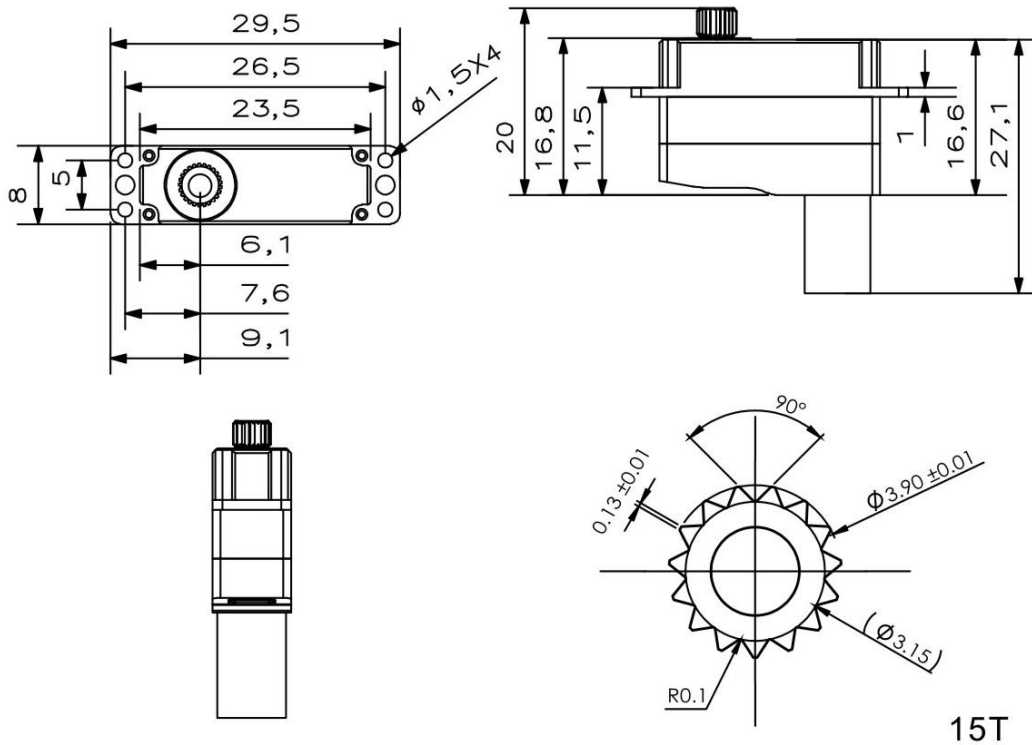
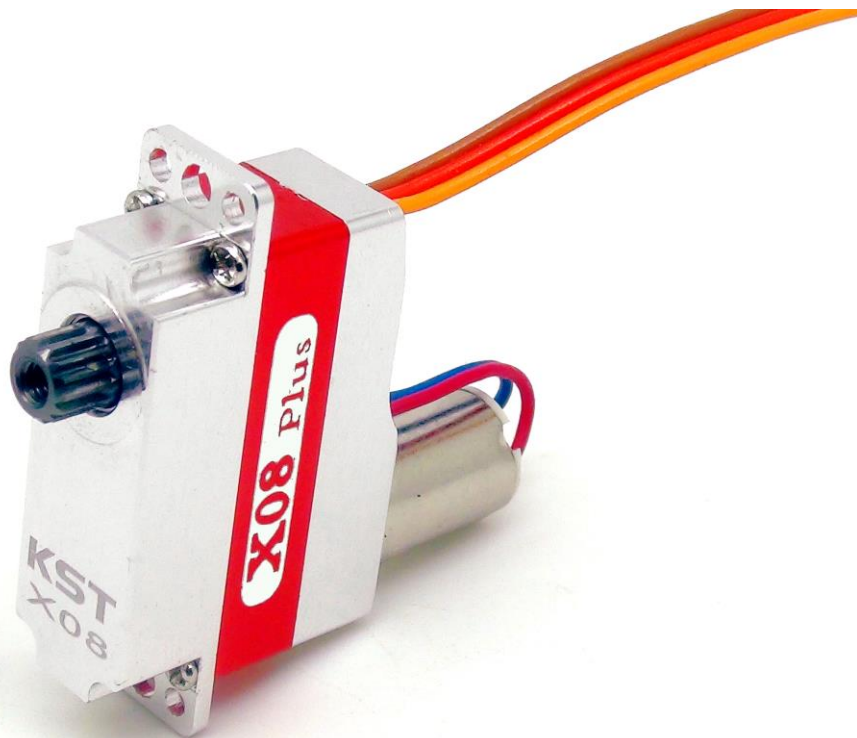
## X08N Plus

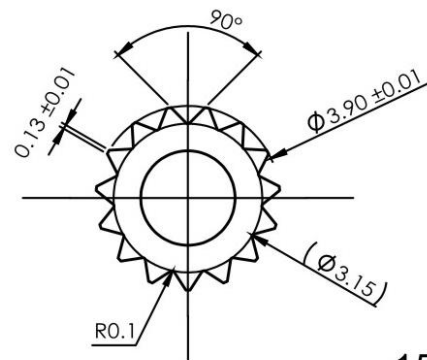
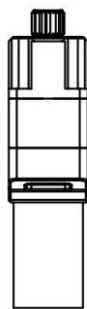
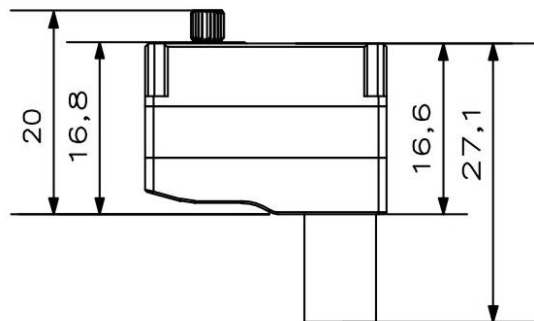
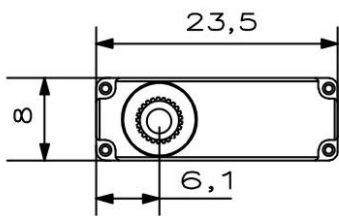
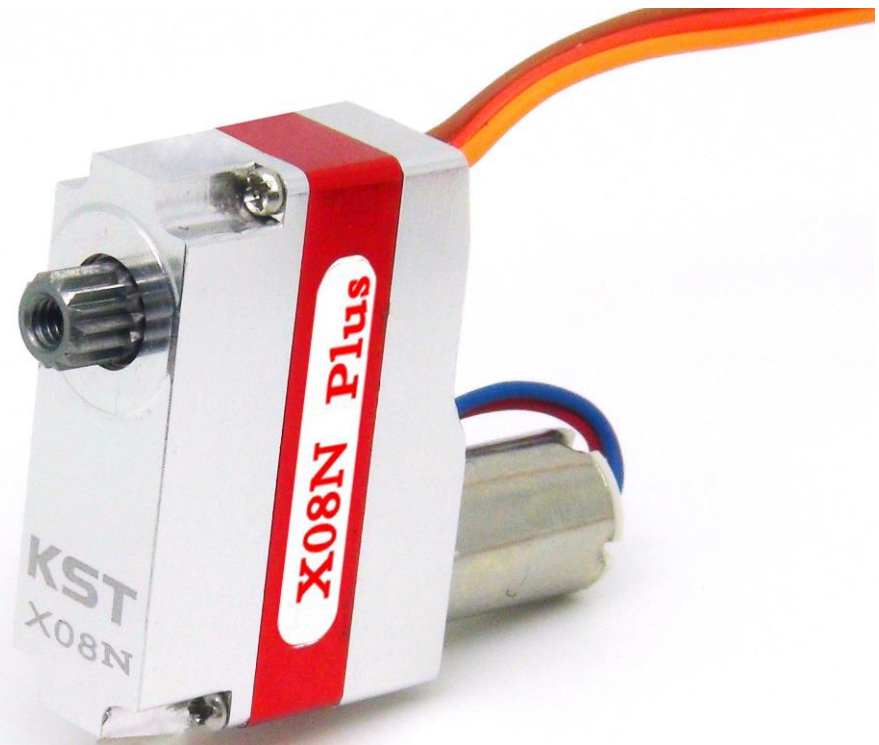
### Technical Specification



15T

## X08 Plus



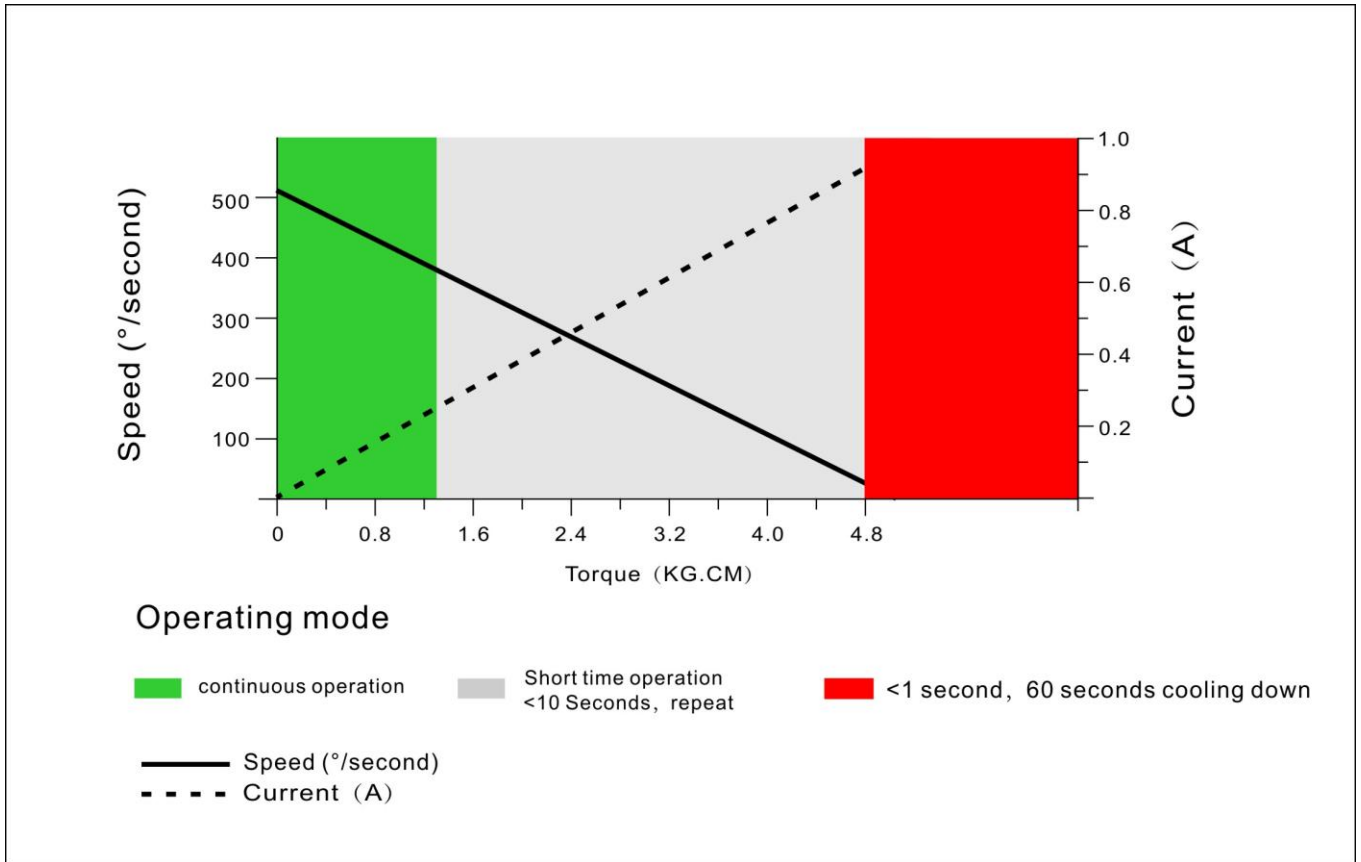


# Operating Data

	<b>X08H Plus/X08 Plus/X08N Plus</b>
<b>Operation Voltage(rated)</b>	DC7.4V
<b>Operation Voltage Range</b>	DC3.8V-8.4V
<b>Torque</b>	2.4Kg.cm@3.8V
	3.85Kg.cm@6.0V
	4.84Kg.cm@7.4V
	5.30kg.cm@8.4V
<b>Speed</b>	0.18sec/60 °@3.8V
	0.15sec/60 °@6.0V
	0.12sec/60 °@7.4V
	0.09sec/60 °@8.4V
<b>Travel Angle</b>	± 60° when 1000-2000us
<b>Operating Temperature Range</b>	-5°C ……+65°C

# Performance

## X08H Plus/ X08 Plus / X08N Plus@7.4V



# PWM Command Signal

PWM	X08H Plus/X08 Plus/X08N Plus
Signal Voltage	TTL-Level: HIGH:min 3.3V,max VCC TTL-Level: Low:min 0.0V,max 1.5V
Pulse Lengths	1000-2000us
Pulse Lengths for Position -60° /center/+60°	1000us/1500us/2000us
Resolution	<2us

## Materials and protective features

Case Material	Aluminum Alloy
Salt Water Resistance	
EMI/RFI Shielding	Shielding
Motor Type	Coreless
Gear Set Material	Aluminum
Position Sensor	Potionmeter
Position Feedback	Optional
Shielded Connecting Cable	28AWG

## Dimensions

Case Dimensions	23.5*8*16.8mm
Weight	9g