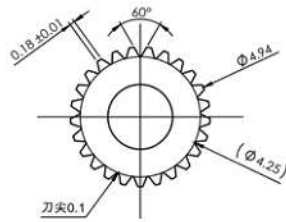
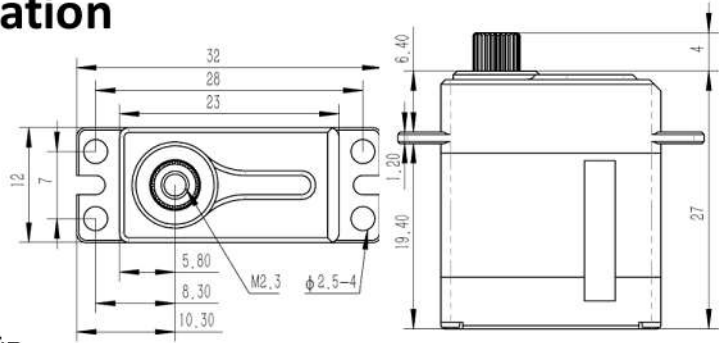


### MS325 V6.0 Technical Specification



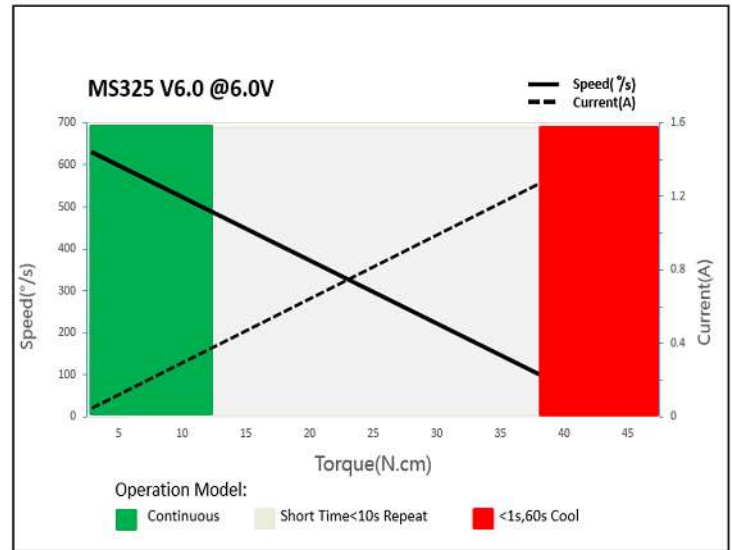
25T 5mm Output Shaft Spline



### 1. Operating Data

MS325 V6.0	
Rated Voltage	X20-12M820- <sup>*</sup> DC6.0V
Voltage Range	DC3.0V-8.4V
Stalling Torque	DC9.0V-12.0V 38N.cm@6.0V
	46N.cm@7.4V
	52N.cm@8.4V
No-load Speed	0.09sec/60°@6.0V
	0.08sec/60°@7.4V
	0.07sec/60°@8.4V
Working Frequency	1520us/20kHz
Default Travel Angle	±100°=200° Total
Temperature Range	-20°C.....+65°C
Soft Start	Programmable
Programable	Yes
Case Material	Aluminum Alloy
Motor Type	Coreless DC Motor
Gear Set Material	Hardened Steel
Position Sensor	Contactless
Case Dimensions	23mm*12mm*27.5mm±0.2mm
Weight	20g±10%

### 2. Performance



### 3. Command signal

#### PWM Command Interface

Signal Voltage	HIGH: min.3.3V, max.5.0V Low: min.0.0V, max.1.5V
Pulse Lengths	500us-2500us
Pulse Lengths for Position	500us/1500us/2500us -100° 0°+100°

### 4. Electrical Connection

3 2 1	Pin Assignment			PWM Command
	1	Orange	Signal	
	2	Red	DC+	
	3	Brown	DC-	
			Supply Voltage	
			Supply Ground	