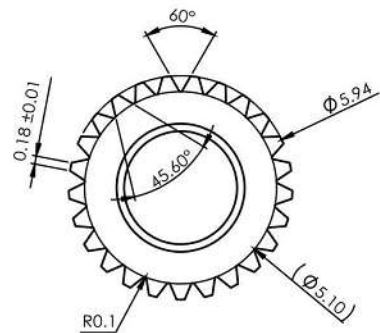
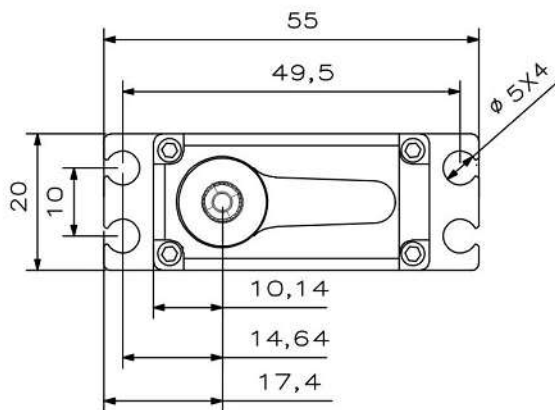
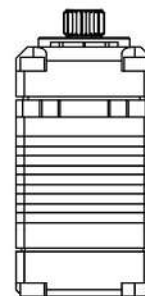
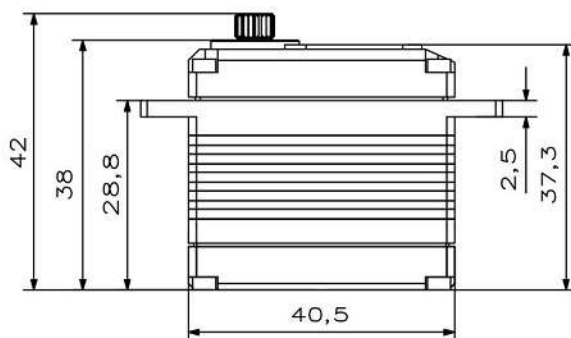


MS3012

Technical Specification



25T



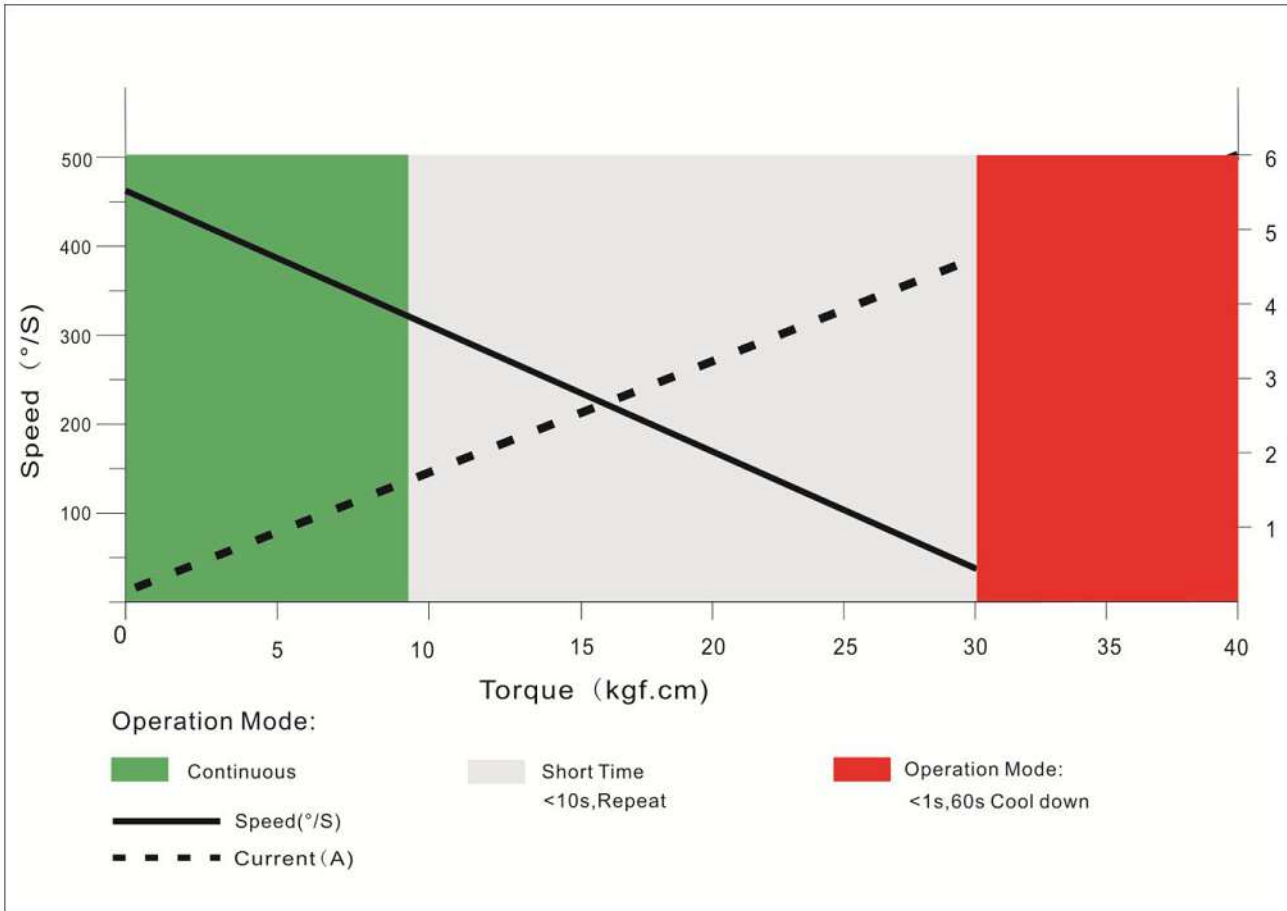
Operating Data

	MS3012
Operation Voltage(rated)	DC7.4V
Operation Voltage Range	DC6.0V-8.4V
Stalling Torque	25Kg.cm@6.0V
	30Kg.cm@7.4V
	35Kg.cm@8.4V
Speed	0.15sec/60°@6.0V
	0.12sec/60°@7.4V
	0.11sec/60°@8.4V
Travel Angle	±50° when 1000-2000us
Operating Temperature Range	-10°C……+55°C

Performance

MS3012

@7.4V



PWM Command Signal

PWM	MS3012
Signal Voltage	TTL-Level: HIGH:min.3.3V,max.5.0V TTL-Level: Low:min.0.0V,max.1.5V
Pulse Lengths	900-2100us
Pulse Lengths for Position -50° /center/+50°	1000us/1500us/2000us
Resolution	<2us

Materials and protective features

Case Material	Aluminum Alloy
Splash Surface Treatment	
Salt Water Resistance	
EMI/RFI Shielding	
Motor Type	Brushless
Gear Set Material	Steel
Position Sensor	Contactless
Position Feedback	Optional
Shielded Connecting Cable	

Dimensions

Case Dimensions	40.5*20*38mm
Weight	72g