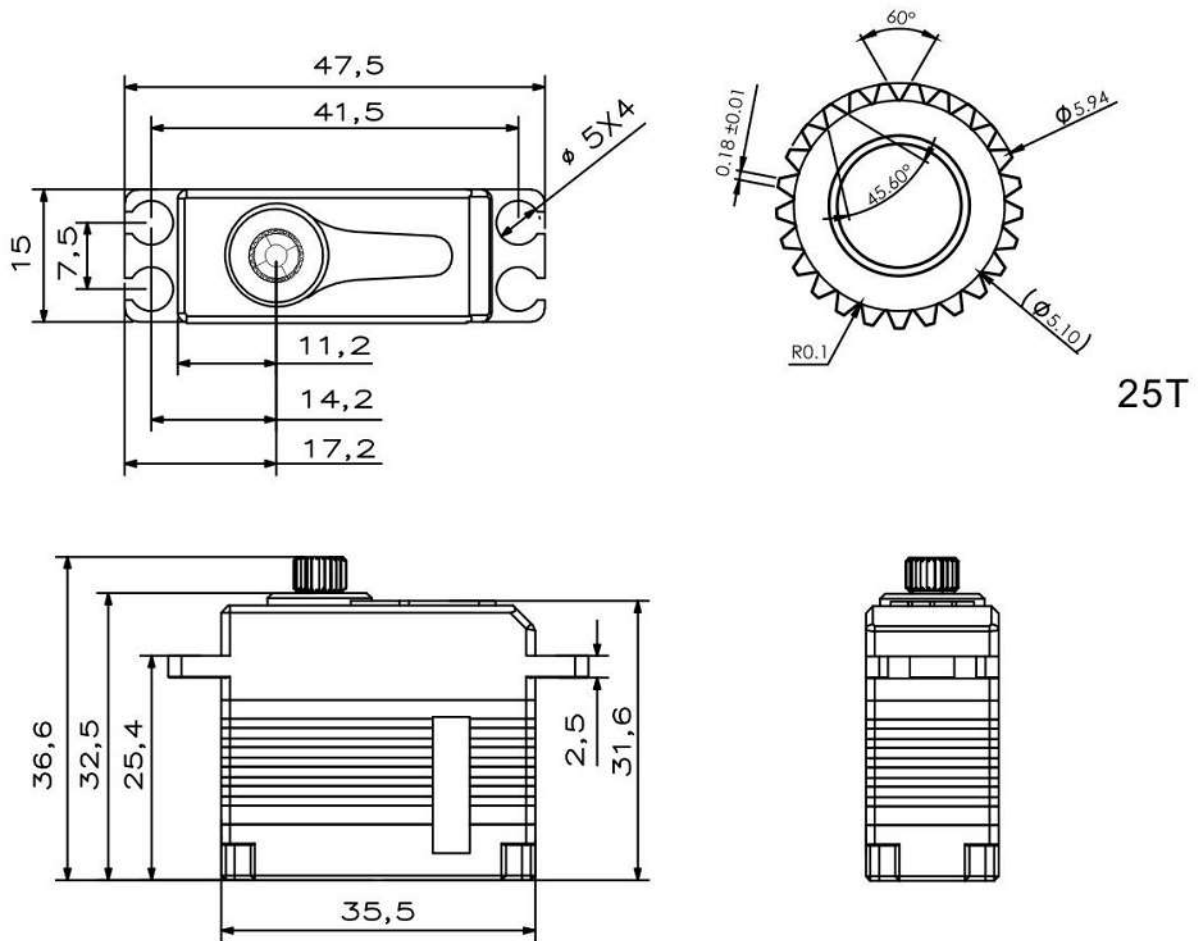


MS589 V8.0

Technical Specification



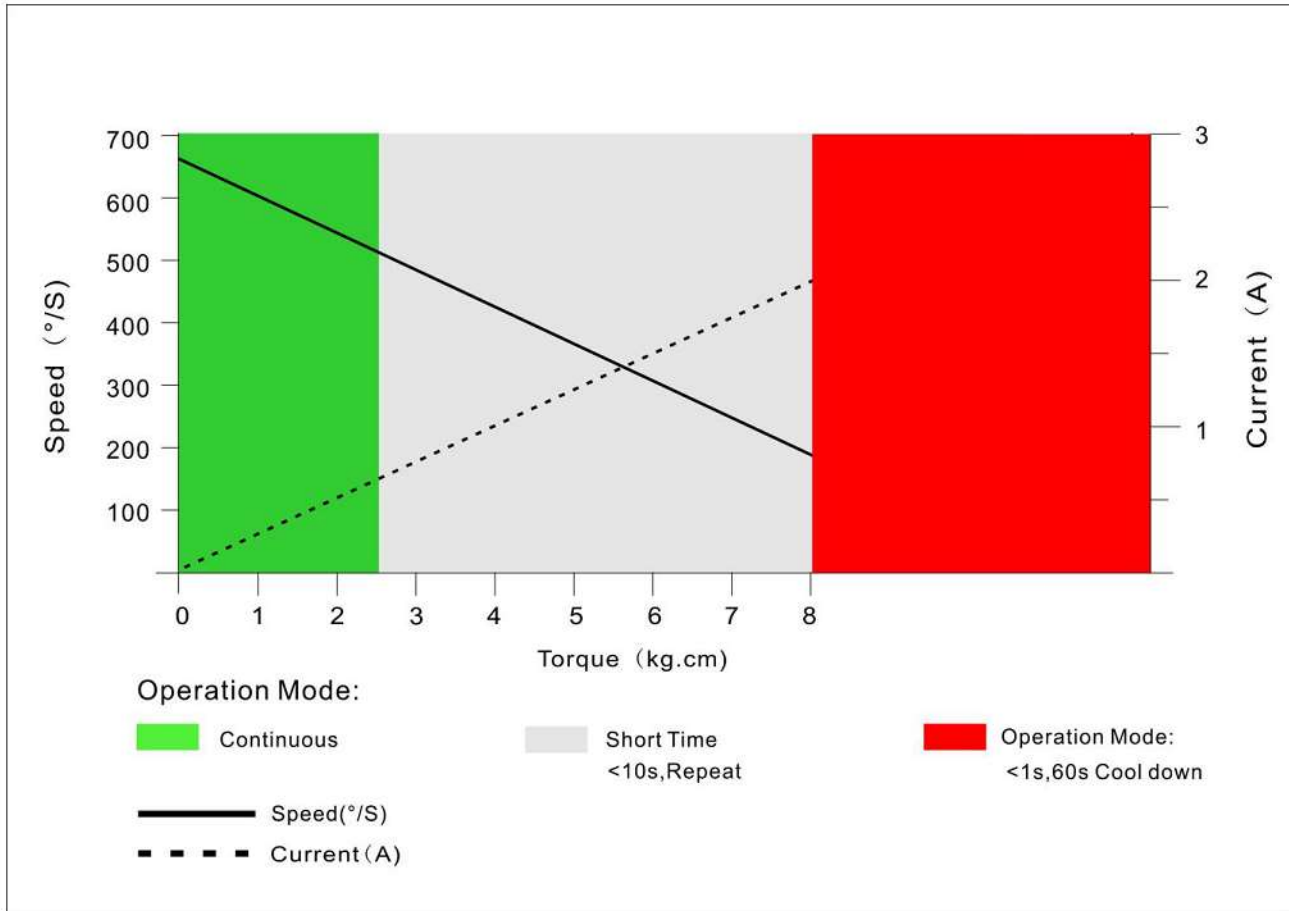
Operating Data

	MS589
Operation Voltage(rated)	DC7.4V
Operation Voltage Range	DC6.0V-8.4V
Torque	6.5Kg.cm@6.0V
	8.0Kg.cm@7.4V
	9.2Kg.cm@8.4V
Speed	0.10sec/60°@6.0V
	0.09sec/60°@7.4V
	0.08sec/60°@8.4V
Travel Angle	±100° when 500-2500us ±50° when 1000-2000us
Operating Temperature Range	-10℃……+65℃

Performance

MS589

@7.4V



PWM Command Signal

PWM	MS589
Signal Voltage	TTL-Level: HIGH:min.3.3V,max.5.0V TTL-Level: Low:min.0.0V,max.1.5V
Pulse Lengths	500-2500us
Pulse Lengths for Position -100° /center/+100°	500us/1500us/2500us
Resolution	<2us

Materials and protective features

Case Material	Aluminum Alloy
Splash Surface Treatment	
Salt Water Resistance	
EMI/RFI Shielding	
Motor Type	Coreless
Gear Set Material	Steel
Position Sensor	Contactless
Position Feedback	Optional
Shielded Connecting Cable	

Dimensions

Case Dimensions	35.5*15*32.5mm
Weight	38g