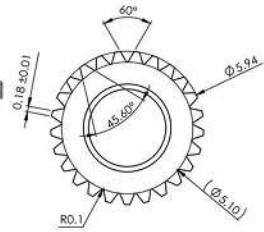
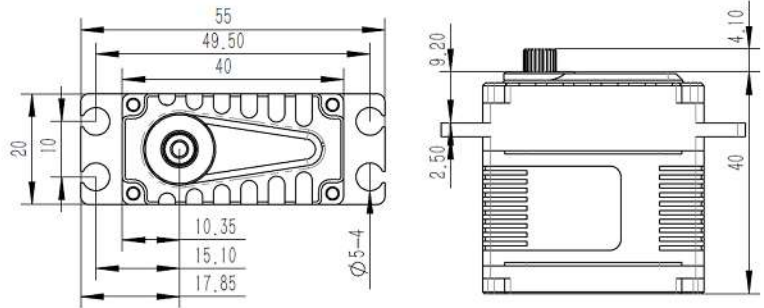


X20-2208 V8.0 Technical Specification



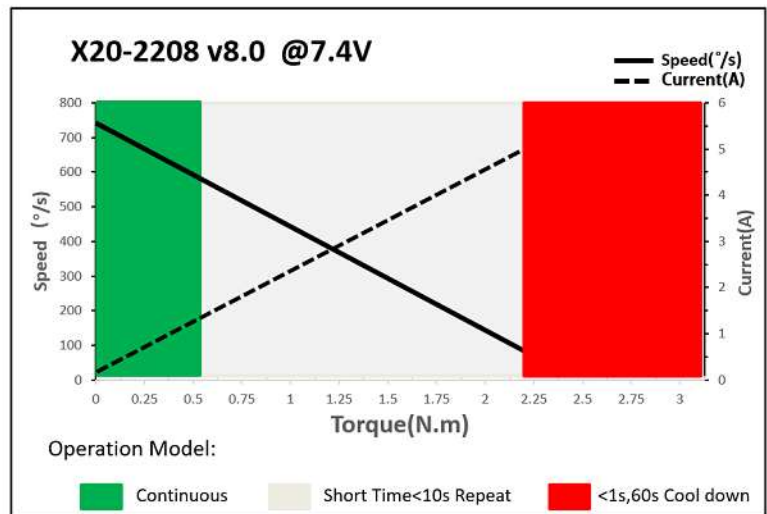
25T-6mm
Output Shaft Spline



1. Operating Data

	X20-2208 V8.0
Rated Voltage	DC7.4V
Voltage Range	DC6.0V-8.4V
Stalling Torque	1.8N.m@6.0V
	2.2N.m@7.4V
	2.5N.m@8.4V
Speed	0.09sec/60°@6.0V
	0.08sec/60°@7.4V
	0.07sec/60°@8.4V
Working Frequency	1520us/333Hz
Default Travel Angle	± 50°=100°Total
Temperature Range	-10°C.....+65°C
Case Material	Aluminum Alloy
Motor Type	Brushless DC Motor
Gear Set Material	Hardened Steel
Position Sensor	Potentiometer
Case Dimensions	40mm*20mm*40mm±0.2mm
Weight	72g±10%
Ball Bearing	6 BB

2. Performance



3. Command signal

3.1. PWM Command Interface

Signal Voltage	TTL-level: HIGH: min.3.3V, max.5.0V Low: min.0.0V, max.1.5V
Pulse Lengths	900us-2100us
Pulse Lengths for Position -50° 0° +50°	1000us/1500us/2000us

4. Electrical Connection

Pin Assignment (PWM)				
	1	Yellow	SIG	Command Signal
	2	Red	DC+	Supply Voltage
	3	Brown	DC-(GND)	Supply Ground, Signal Ground