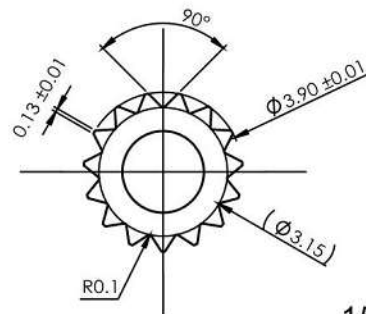
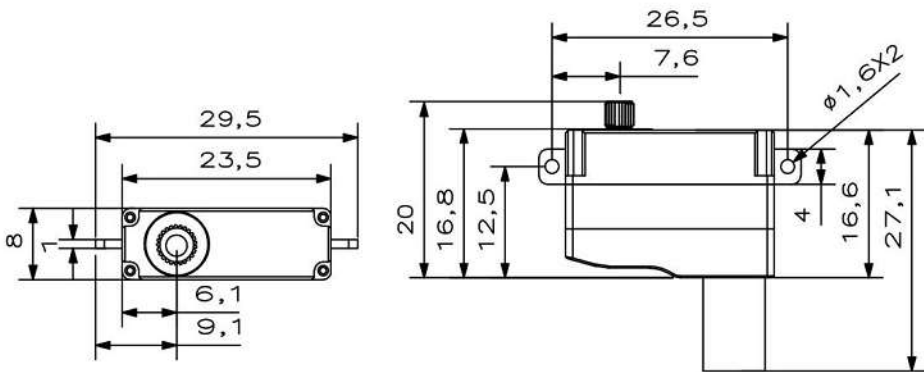


X08H Plus/X08 Plus V2.0

Technical Specification

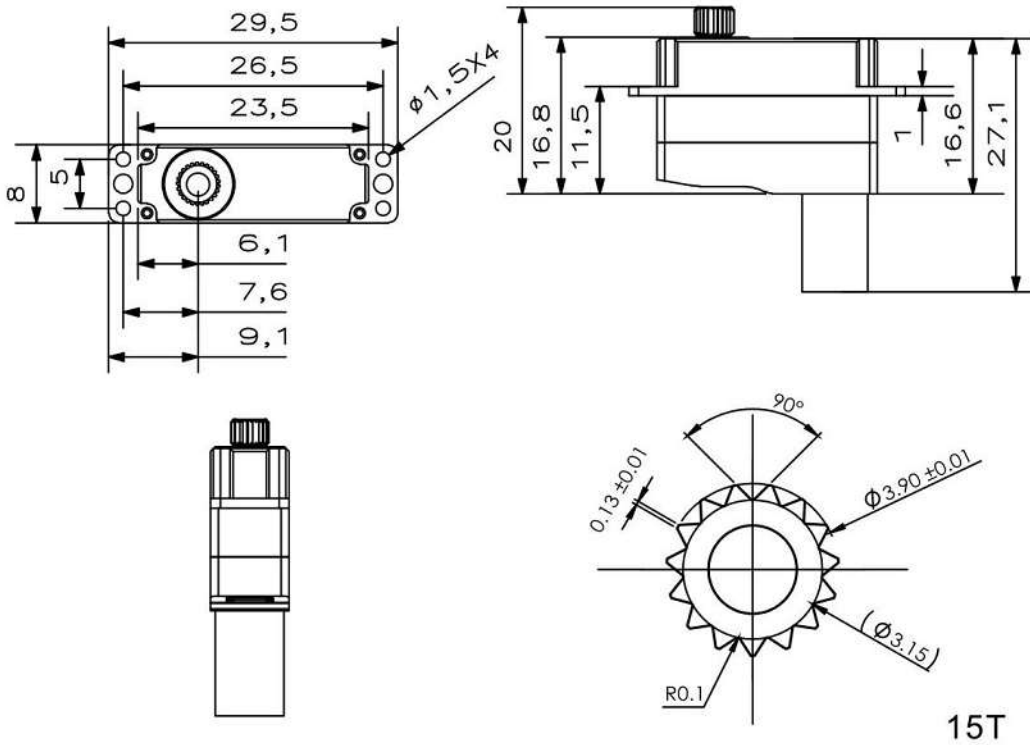
X08H Plus



15T

Content is subject to change without notice 2021/03

X08 Plus

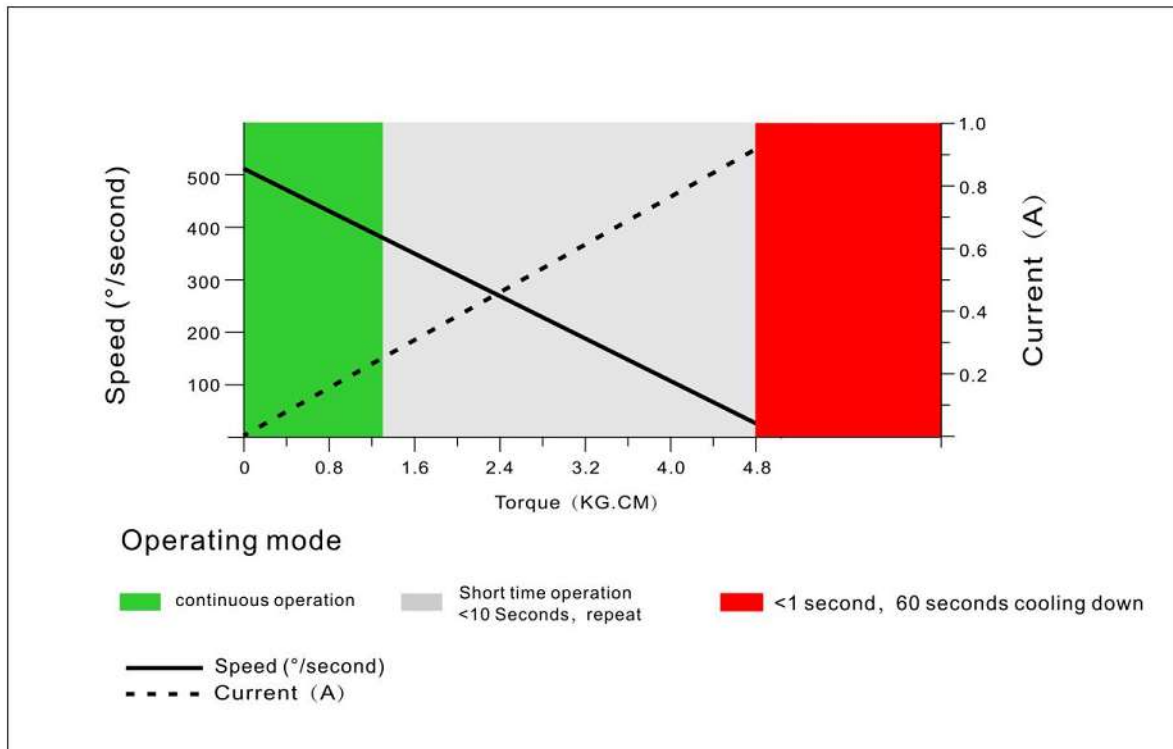


Operating Data

	X08H Plus/X08 Plus
Operation Voltage(rated)	DC7.4V
Operation Voltage Range	DC3.8V-8.4V
Stalling Torque	2.4Kg.cm@3.8V
	3.85Kg.cm@6.0V
	4.84Kg.cm@7.4V
	5.30kg.cm@8.4V
Speed	0.18sec/60°@3.8V
	0.15sec/60°@6.0V
	0.12sec/60°@7.4V
	0.09sec/60°@8.4V
Travel Angle	±60° when 1000-2000us
Operating Temperature Range	-10°C……+65°C

Performance

X08H Plus / X08 Plus @7.4V



PWM Command Signal

PWM	X08H Plus/X08 Plus
Signal Voltage	TTL-Level: HIGH:min 3.3V,max 5.0V TTL-Level: Low:min 0.0V,max 1.5V
Pulse Lengths	1000-2000us
Pulse Lengths for Position -60° /center/+60°	1000us/1500us/2000us
Resolution	<=2us

Materials and protective features

Case Material	Aluminum Alloy
Motor Type	Coreless
Gear Material	Hardened Steel
Position Sensor	Potentiometer
Connecting Cable	28AWG

Dimensions

Case Dimensions	23.5*8*16.8mm
Weight	9g